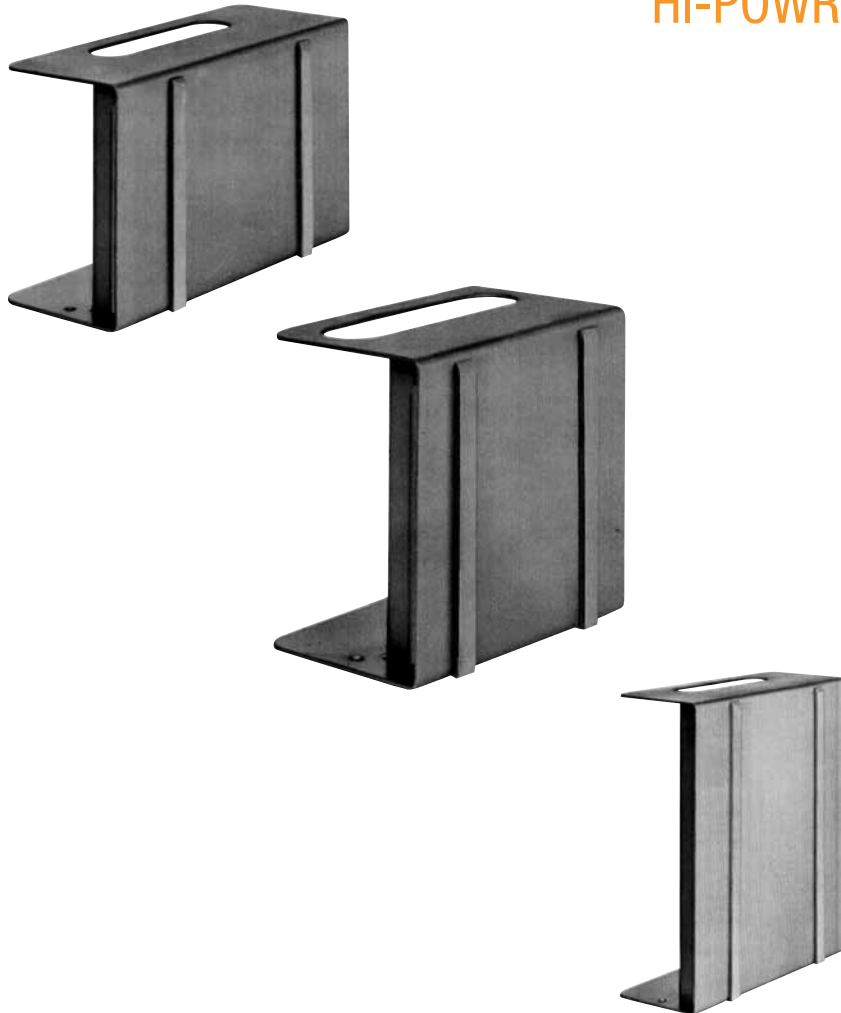




# SHEET FANNER

## HI-POWR – PERMANENT MAGNETIC



Magnetic power provides the most efficient fanning action possible. Stronger... surer...snappier action fans all hard-to-handle sheets... eliminates doubles... increases production... saves man hours.

### FEATURES & BENEFITS

- **New magnetic circuit fans heavier gauges of steel with new efficiency.**
- **Magnetic circuit completely enclosed ...rugged...tamper proof...will withstand severe usage.**
- **All units built with stainless steel "U" shaped frame with stainless anti-friction strips and back cover**
- **Design provides hand cutouts for ease in carrying from one point to another...sturdy base for fast mounting to any flat surface.**

ONLY FROM ERIEZ

Eriez Hi-Powr Sheet Fanners will give you the operating performance you've always wanted. Eriez' powerful magnetic circuit makes it all possible. Semi-sticky, oily, bent and heavy gauge sheet steel will fan with ease and provide new efficiency to slow, costly, difficult sheet feeding to presses, brakes, shears, etc. No more prying... no more "doubles"...no more marring of polished and painted sheets. There's a Hi-Powr model and a strength for your exact requirements!

Choose from three strengths available in four functional heights. Eriez' range of Hi-Powr Sheet Fanner strengths and heights provides complete coverage for applications up to 1/8" (3 mm) thick steel sheets stacked up to 14" (355 mm) high. (See table on other side.)

## SPECIFICATIONS AND SELECTOR INFORMATION

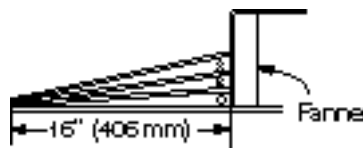
MODEL	HEIGHT		OVERALL WIDTH		MAGNET DEPTH WIDTH		OF BASE	WEIGHT		MAX. HEIGHT OF STOCK PILE	
	in.	mm.	in.	mm.	in.	mm.		lb.	kg.	in.	mm.
CF-66 Medium Duty	6	152	6-1/4	158	4-1/4	114	ALL MODELS 4-1/6" (104 mm)	9-3/4	4.4	5	127
	8	203	6-1/4	158	4-1/2	114		12-3/4	5.7	7	178
	11-1/4	285	6-1/4	158	4-1/2	114		18	8.1	10	254
CF-77 Heavy Duty	6	152	10	254	7-1/8	181		17	7.7	5	127
	8	203	10	254	7-1/8	181		22	10	7	178
	11-1/4	285	10	254	7-1/8	181		30	13.6	10	254
CF-88 Extra Heavy	15	381	10	254	7-1/8	181		40	18.1	14	355
	8	203	17-1/8	435	15-1/4	387		39	17.6	7	178
	11-1/4	285	17-1/8	435	15-1/4	387		56	25.4	10	254
15	381	17-1/8	435	15-1/4	387	73		33.1	14	355	



## PERFORMANCE CHART

(A-B-C) designates the fanned distance between the sheets at the surface of the fanner.

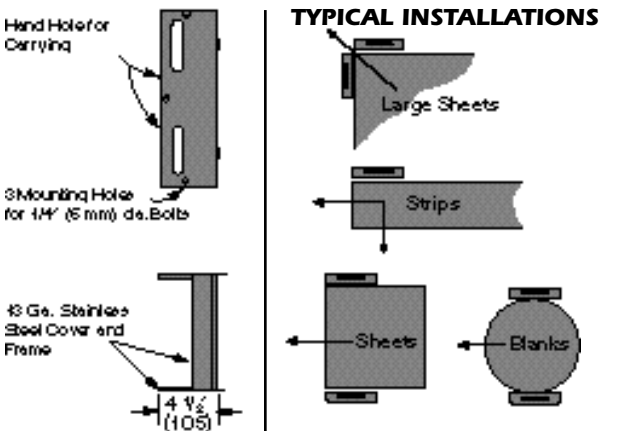
(NF) in the Chart means that no fanning action took place.



Magnetic induction of the sheets with like polarity causes them to repel each other and to rise in mid-air. As each sheet is taken away the others rise to higher positions. The operator can quickly grasp the sheets...no prying or fumbling.

GAUGE		MEDIUM DUTY						HEAVY DUTY						EXTRA HEAVY DUTY					
		A		B		C		A		B		C		A		B		C	
in.	mm.	in.	mm.	in.	mm.	in.	mm.	in.	mm.	in.	mm.	in.	mm.	in.	mm.	in.	mm.	in.	mm.
.015	.38	9/16	14	7/16	11	7/16	11	13/16	20	5/8	16	3/8	9	15/16	24	15/16	24	5/8	16
.035	.89	5/8	16	5/16	8	5/16	8	1	25	5/8	16	1/2	13	1-9/16	39	1-3/16	30	11/16	17
.059	1.5	3/4	19	1/8	3	min.		1-3/8	35	11/16	17	min.		2-3/16	55	1-1/16	27	min.	
.074	1.87	1/2	13	1/8	3	NF		1-1/4	32	5/8	16	NF		2-3/16	55	7/8	22	13/16	20
.119	3.0	NF		NF		NF		1	25	NF		NF		2	50	1	25	NF	

To fan the entire edge of a large sheet to the distances shown in the performance chart, fanners should be placed along that edge on approximately 2 ft. to 3 ft. (610 to 914 mm) centers.



Dimensions and specifications subject to change without notice.

Note: Some safety warning labels or guarding may have been removed before photographing this equipment.

Eriez and Eriez Magnetics are registered trademarks of Eriez Manufacturing Co., Erie, PA  
©2008 Eriez Magnetics • All Rights Reserved

Web Site: <http://www.eriez.com>

e-mail: [eriez@eriez.com](mailto:eriez@eriez.com)



Telephone 814/835-6000 • 800/345-4946 • Fax 814/838-4960 • International Fax 814/833-3348

HEADQUARTERS: 2200 Asbury Road, P.O. Box 10608, Erie, PA 16514-0608 U.S.A.

MANUFACTURING: Australia • Brazil • China • India • Japan • Mexico • South Africa • United Kingdom • United States

World Authority in Advanced Technology for Magnetic, Vibratory and Inspection Applications